



POWERRAIL

AUSTRALIA

PowerRail Australia

Phone: 1-800-PRD-AU0

1-800-772-280

Email: Sales@ePowerRail.com.au

Uniting Innovation, Engineering, Manufacturing, and Distribution

LED IP67 Waterproof 50A19 Rough Service Bulbs

PowerRail, an AAR M-1003 Certified Quality Company, is pleased to offer our NEW LED 50A19 75V Number Board "Corn Cob" style and AAR S-5515 style Rough Service LED bulbs.

With the latest Cree LED technology, these bulbs provide IP67 protection from water damage.

Field Tests with Class I's, Regionals, Passenger Transit, and other applications have proven that the unique patent pending designs offer true reliability and performance.



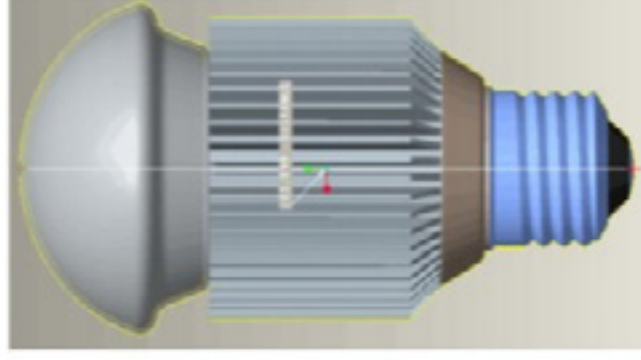
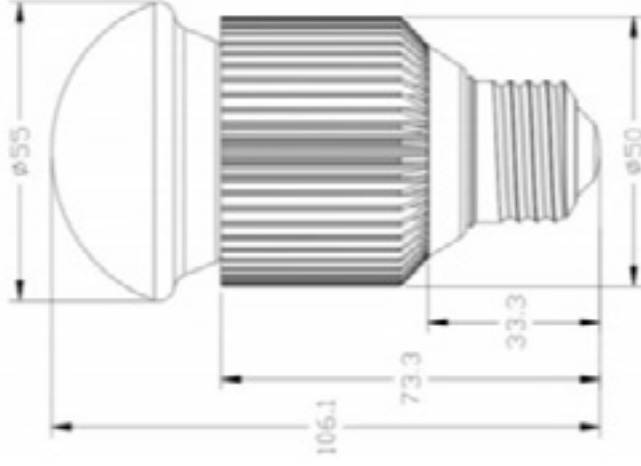
LED Advantages:

- Rated Life 50,000 Hrs vs. 1,000 in Standard Bulb (50 to 1 Life)
- True LED Circuit Board Reliability and Durability
- Reduced Generator Voltage Draw Provides Fuel Savings
- No EMI Interference
- Reverse Polarity Protected
- Operates on Voltage Range of 50VDC to 80VDC
- No Filament or Glass to Break (Enhanced Protective Globe)
- Reduced Labor and Maintenance Labor Cost
- Eliminates FRA Infringements Associated with Standard Bulbs



www.PowerRailAustralia.com.au

Operating Voltage	75V DC
Operating Wattage	6-watts
Beam Spread	270°V - 360°H
EMI Emission	No Interference
Operating Condition	-40°C to +85°C
Life	50,000hrs 70%
Body	Aluminum Alloy
Lens	Heavy Duty PC
Base	E26/E27 Medium
Weight	110 grams
Operation	Voltage Range 50 to 80 Volts DC
Reverse Polarity	Protected
AC Voltage	Will Not Operate on AC Voltage
Ingress Protection	IP67
Average Lumen Output	545
Color Temperature	3000K



**Part # RS50A19LED-6WLL
(AAR 6Watt)**

Universal Operation in Locomotives
Rough Service Bulb

This document contains Proprietary information of Smart Light Source Co. LLC. It may not be copied, used or disclosed for any purpose without the prior written consent of Smart Light Source Co. LLC.

Code No. SLS 7B

Dimensions are in Millimeters

DRAWN: BZ	DATE: 09-02-2015
CHECKED: JM	DATE: 09-02-2015
QA: TZ	DATE: 09-10-2015
MFG: GK	DATE: 09-14-2015
APPROVED: AM	DATE: 09-15-2015

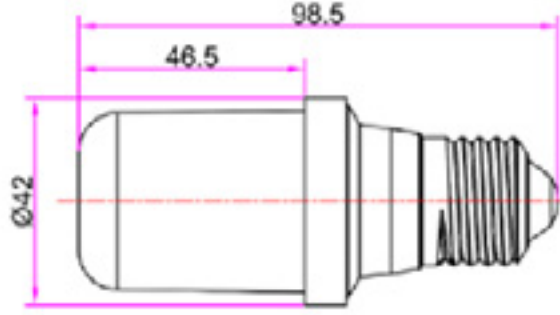
RoHS Compliant

Producers of electrical and electronic equipment are not able to place on the market products that contain six "banned" substances unless specific exemptions apply. These six substances are: Lead (Pb), Mercury (Hg), Hexavalent chromium (Cr(VI)), Cadmium (Cd), Polybrominated biphenyl flame retardants (PBB), and Polybrominated diphenyl ether flame retardants (PBDE)

Rev: 0

Lamp Characteristics

Operating Voltage	75V DC
Rated Wattage	3-watts
Beam Spread	360°
EMI Emission	No Interference
Operating Condition	-25°C +85°C
Life	50,000hrs 70%
Body	Aluminum + Plastic
Base	E26/E27 Medium
Weight	95 grams
Operation	Voltage Range 50 to 80 Volts DC
Reverse Polarity	Protected
AC Voltage	Will Not Operate on AC Voltage
Average Lumen Output	310 Lumens
Color Temperature	4000K



**Part# PRD16187555
(Corn Style)**

IP 67 Rating – Water Tight

Warranty: 5 years
Locomotive Number Board LED Lamp

This document contains Proprietary information of Smart Light Source Co. LLC. It may not be copied, used or disclosed for any purpose without the prior written consent of Smart Light Source Co. LLC.

Code No. SLS 8B

Dimensions are in Millimeters

DRAWN: BZ	DATE: 12-15-2015	RoHS Compliant	Producers of electrical and electronic equipment are not able to place on the market products that contain six "banned" substances unless specific exemptions apply. These six substances are: Lead (Pb), Mercury (Hg), Hexavalent chromium (Cr(VI)), Cadmium (Cd), Polybrominated biphenyl flame retardants (PBB), and Polybrominated diphenyl ether flame retardants (PBDE)
CHECKED: JM	DATE: 12-17-2015		
QA: TZ	DATE: 12-10-2015		
MFG: GK	DATE: 09-14-2015		
APPROVED: AM	DATE: 12-15-2015		
		3/22/2016	Add Clear Cover
		3/22/2016	Add "C" to P/N and BOM
		8/15/2016	Change body from plastic to Aluminum
		8/15/2016	P 67 Rating

Rev. 2